



SANICA

FLAT PANELS COVER



Steel Panel Radiators with Flat Surface Cover

Panel material:

Powder coated white enamel steel panel

Flat Panels are optional

Clipped on the surface of the radiator, changeable and simple to mount.

Sizes:

Matches all SANICA radiators sizes.

Available in North America warehouse:

Height: 12", 16", 20" & 24"

Length: from 16" to 79"

Flexible:

Easy to install, no tools needed

Mounting clips (S & J) included

Can be mounted while the heating system is running, no need to drain the radiator.





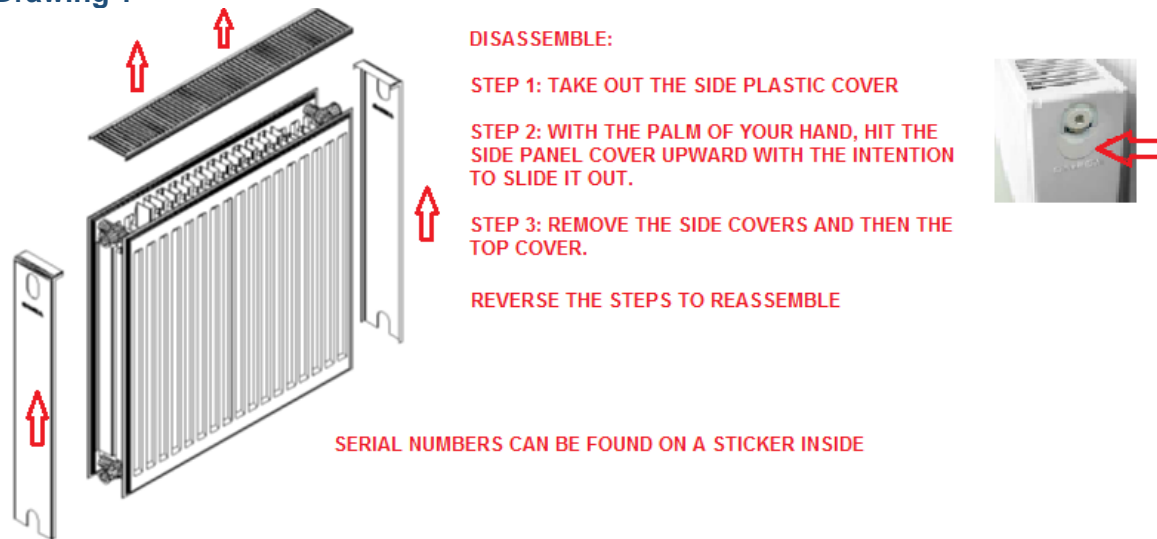
Mounting steps:

1- Check the radiator size to see how many S-Hooks & J-Clips you need in accordance to the following table:

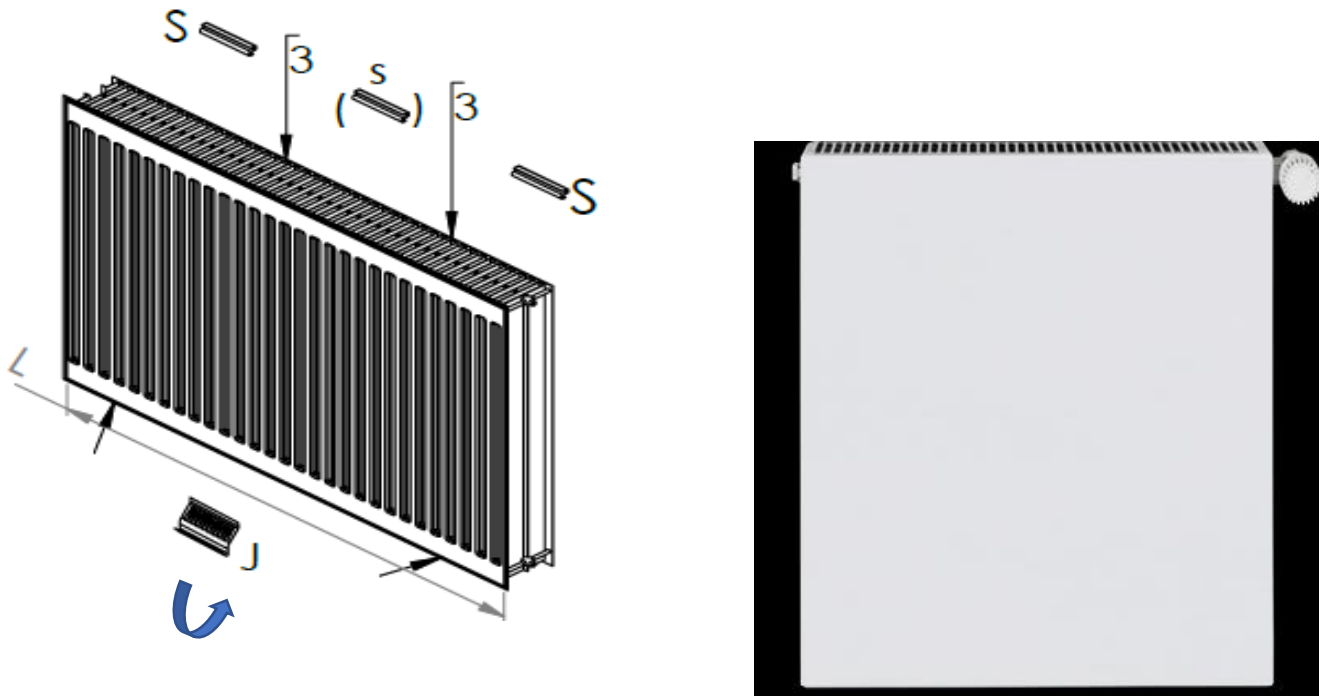
Radiator Length	12" to 48"	52" to 95"
Quantity of S-Hooks	3	4
Quantity of J-Clips	2	3

- 2 Free the radiator surface from four sides to allow the hook to clip on the radiator (Drawing 1).
- 3 Place the S-Hooks on the radiator underneath the top grill.
- 4 Clip the S-Hooks to the radiator upper edge, equal distances far from the side edge by minimum 2" (Drawing 2)
- 5 Pick the matching flat panel size and hang it to fully cover the radiator surface.
- 6 Clip the J clips to the bottom of the flat panel from inside.
- 7 Bend the J-clip with your hand inside the radiator until the panel is fixed.

Drawing 1



Drawing 2





SANICA PART #	FLAT SURFACE COVER SELECTION TABLE DESCRIPTION	DIMENSIONS
		ACTUAL SIZING H x W > mm (Inch)
701-503004	12"X16" Flat Panel Cover	300 x 400 (11 6/8 x 15 6/8)
701-503005	12"X20" Flat Panel Cover	300 x 500 (11 6/8 x 19 5/8)
701-503006	12"X24" Flat Panel Cover	300 x 600 (11 6/8 x 23 5/8)
701-503007	12"X28" Flat Panel Cover	300 x 700 (11 6/8 x 27 4/8)
701-503008	12"X32" Flat Panel Cover	300 x 800 (11 6/8 x 31 4/8)
701-503009	12"X36" Flat Panel Cover	300 x 900 (11 6/8 x 35 3/8)
701-503010	12"X40" Flat Panel Cover	300 x 1000 (11 6/8 x 39 3/8)
701-503011	12"X44" Flat Panel Cover	300 x 1100 (11 6/8 x 43 3/8)
701-503012	12"X48" Flat Panel Cover	300 x 1200 (11 6/8 x 47 3/8)
701-503014	12"X56" Flat Panel Cover	300 x 1400 (11 6/8 x 55 1/8)
701-503016	12"X63" Flat Panel Cover	300 x 1600 (11 6/8 x 63)
701-503018	12"X71" Flat Panel Cover	300 x 1800 (11 6/8 x 70 7/8)
701-503020	12"X79" Flat Panel Cover	300 x 2000 (11 6/8 x 78 6/8)
501-504004	16"X16" Flat Panel Cover	400 x 400 (11 6/8 x 19 5/8)
501-504006	16"X24" Flat Panel Cover	400 x 600 (11 6/8 x 23 5/8)
501-504007	16"X28" Flat Panel Cover	400 x 700 (11 6/8 x 27 4/8)
501-504008	16"X32" Flat Panel Cover	400 x 800 (11 6/8 x 31 4/8)
501-504009	16"X36" Flat Panel Cover	400 x 900 (11 6/8 x 35 3/8)
501-504010	16"X40" Flat Panel Cover	400 x 1000 (11 6/8 x 39 3/8)
501-504011	16"X44" Flat Panel Cover	400 x 1100 (11 6/8 x 43 3/8)
501-504012	16"X48" Flat Panel Cover	400 x 1200 (11 6/8 x 47 3/8)
501-504014	16"X56" Flat Panel Cover	400 x 1400 (11 6/8 x 55 1/8)
501-504016	16"X63" Flat Panel Cover	400 x 1600 (11 6/8 x 63)
501-504018	16"X71" Flat Panel Cover	400 x 1800 (11 6/8 x 70 7/8)
501-504020	16"X79" Flat Panel Cover	400 x 2000 (11 6/8 x 78 6/8)
701-505004	20"X16" Flat Panel Cover	500x400 (19 3/8x15 4/8)
701-505005	20"X20" Flat Panel Cover	500x500 (19 3/8x19 3/8)
701-505006	20"X24" Flat Panel Cover	500x600 (19 3/8x23 5/8)
701-505007	20"X28" Flat Panel Cover	500x700 (19 3/8x27 4/8)
701-505008	20"X32" Flat Panel Cover	500x800 (19 3/8x31 4/8)
701-505009	20"X36" Flat Panel Cover	500x900 (19 3/8x35 3/8)
701-505010	20"X40" Flat Panel Cover	500x1000 (19 3/8x39 3/8)
701-505011	20"X44" Flat Panel Cover	500x1100 (19 3/8x43 2/8)
701-505012	20"X48" Flat Panel Cover	500x1200 (19 3/8x47 2/8)
701-505014	20"X56" Flat Panel Cover	500x1400 (19 3/8x55 1/8)
701-505016	20"X63" Flat Panel Cover	500x1600 (19 3/8x63)
701-505018	20"X71" Flat Panel Cover	500x1800 (19 3/8x70 7/8)
701-505020	20"X79" Flat Panel Cover	500x2000 (19 3/8x78 6/8)
701-506004	24"x16" Flat Panel Cover	600x400 (23 5/8x15 6/8)
701-506005	24"x20" Flat Panel Cover	600x500 (23 5/8x19 5/8)
701-506006	24"x24" Flat Panel Cover	600x600 (23 5/8x23 4/8)
701-506007	24"x28" Flat Panel Cover	600x700 (23 5/8x27 4/8)
701-506008	24"x32" Flat Panel Cover	600x800 (23 5/8x31 4/8)
701-506009	24"x36" Flat Panel Cover	600x900 (23 5/8x35 3/8)
701-506010	24"x40" Flat Panel Cover	600x1000 (23 5/8x39 3/8)
701-506011	24"x44" Flat Panel Cover	600x1100 (23 5/8x43 2/8)
701-506012	24"x48" Flat Panel Cover	600x1200 (23 5/8x47 2/8)
701-506014	24"x56" Flat Panel Cover	600x1400 (23 5/8x55 1/8)
701-506016	24"x63" Flat Panel Cover	600x1600 (23 5/8x63)
701-506018	24"x71" Flat Panel Cover	600x1800 (23 5/8x70 7/8)
701-506020	24"x79" Flat Panel Cover	600x2000 (23 5/8x78 6/8)